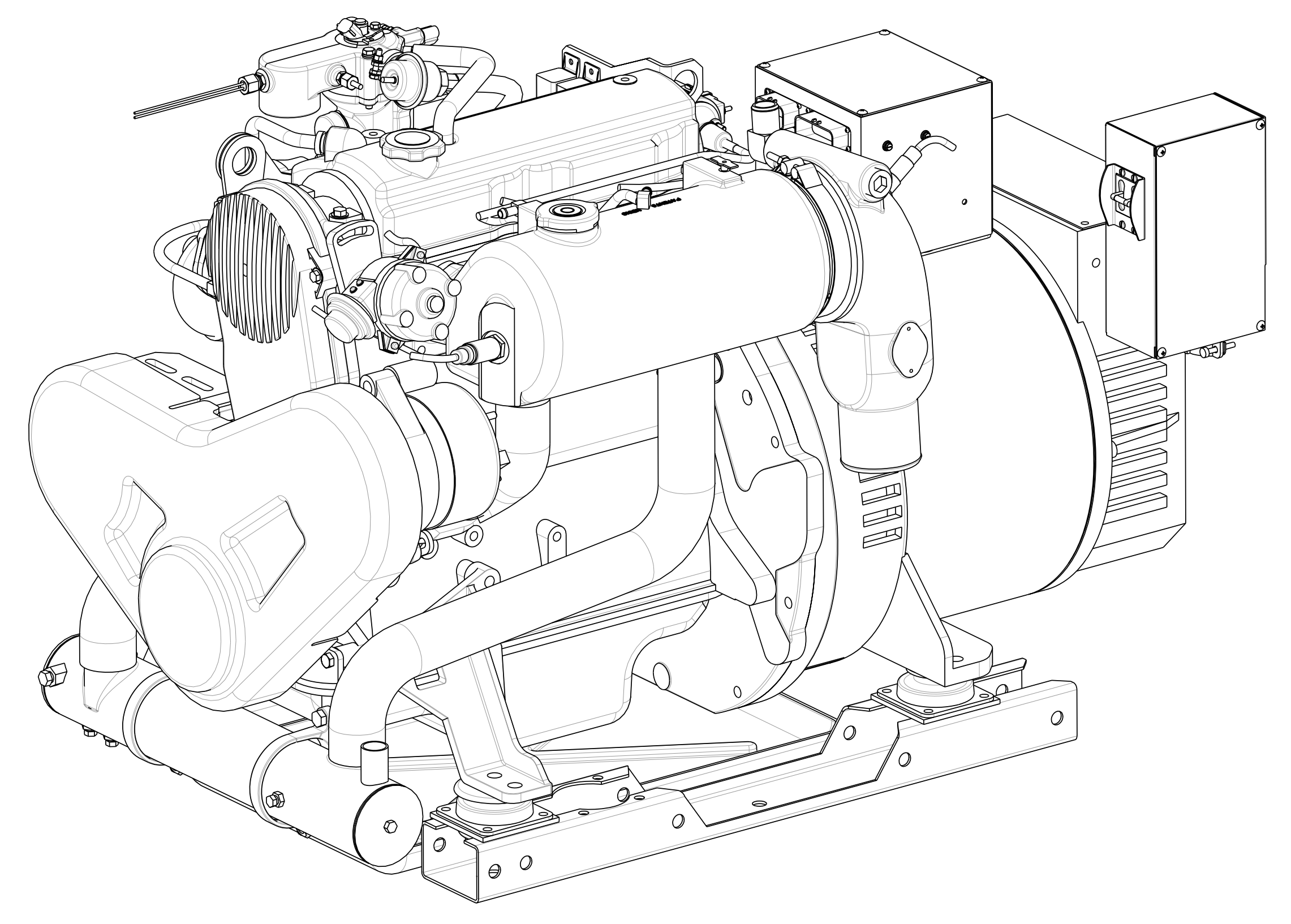
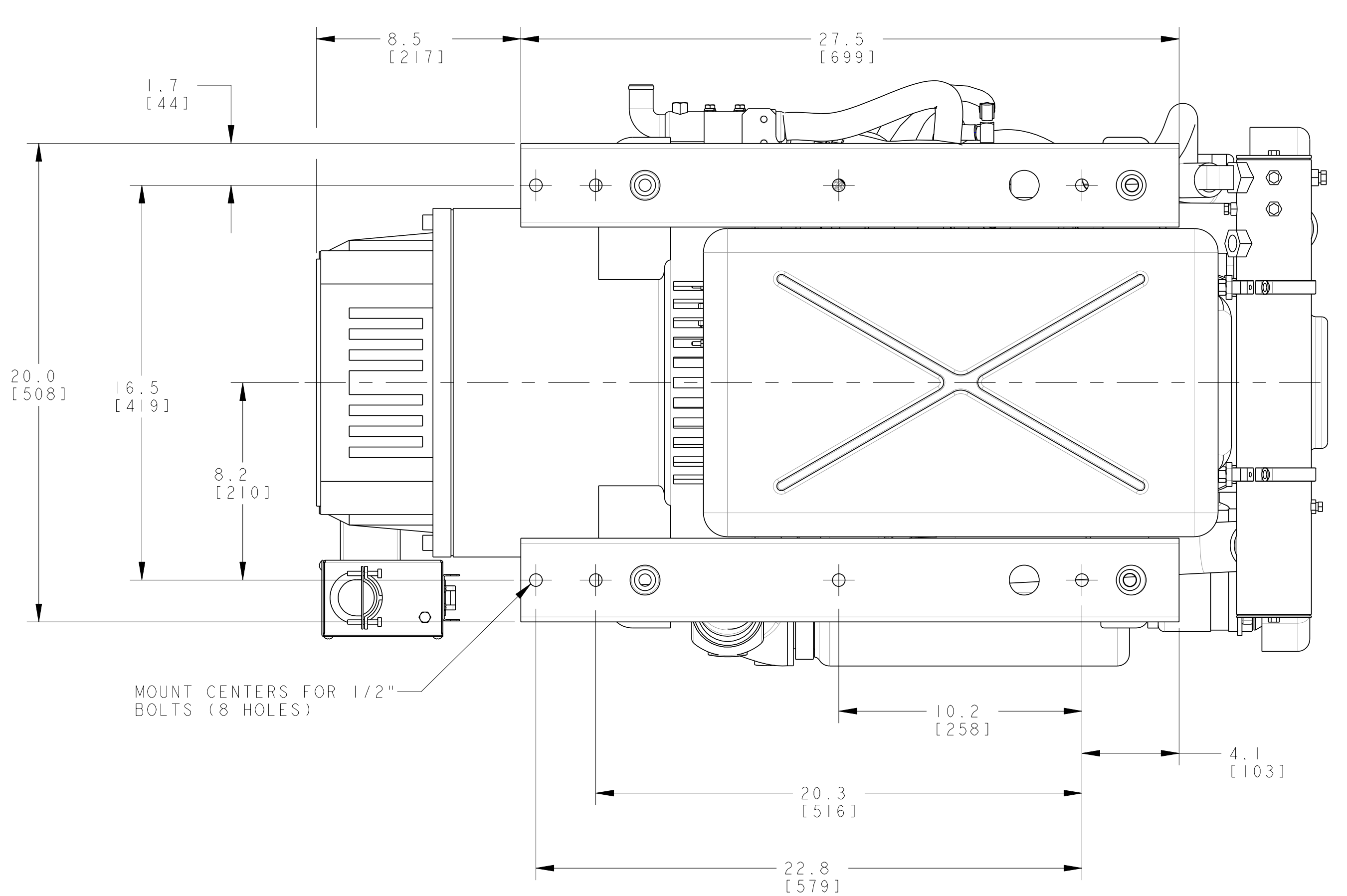
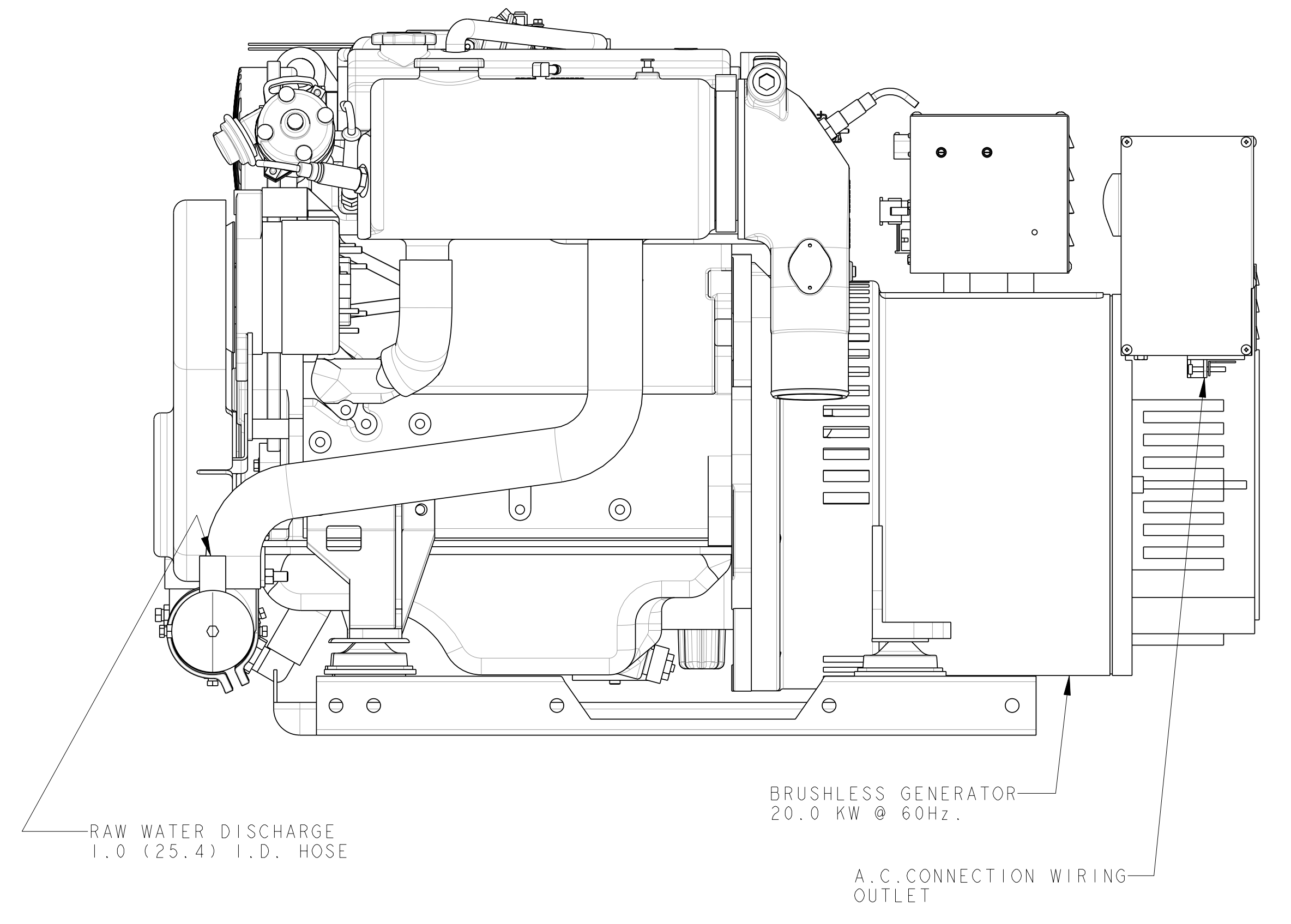
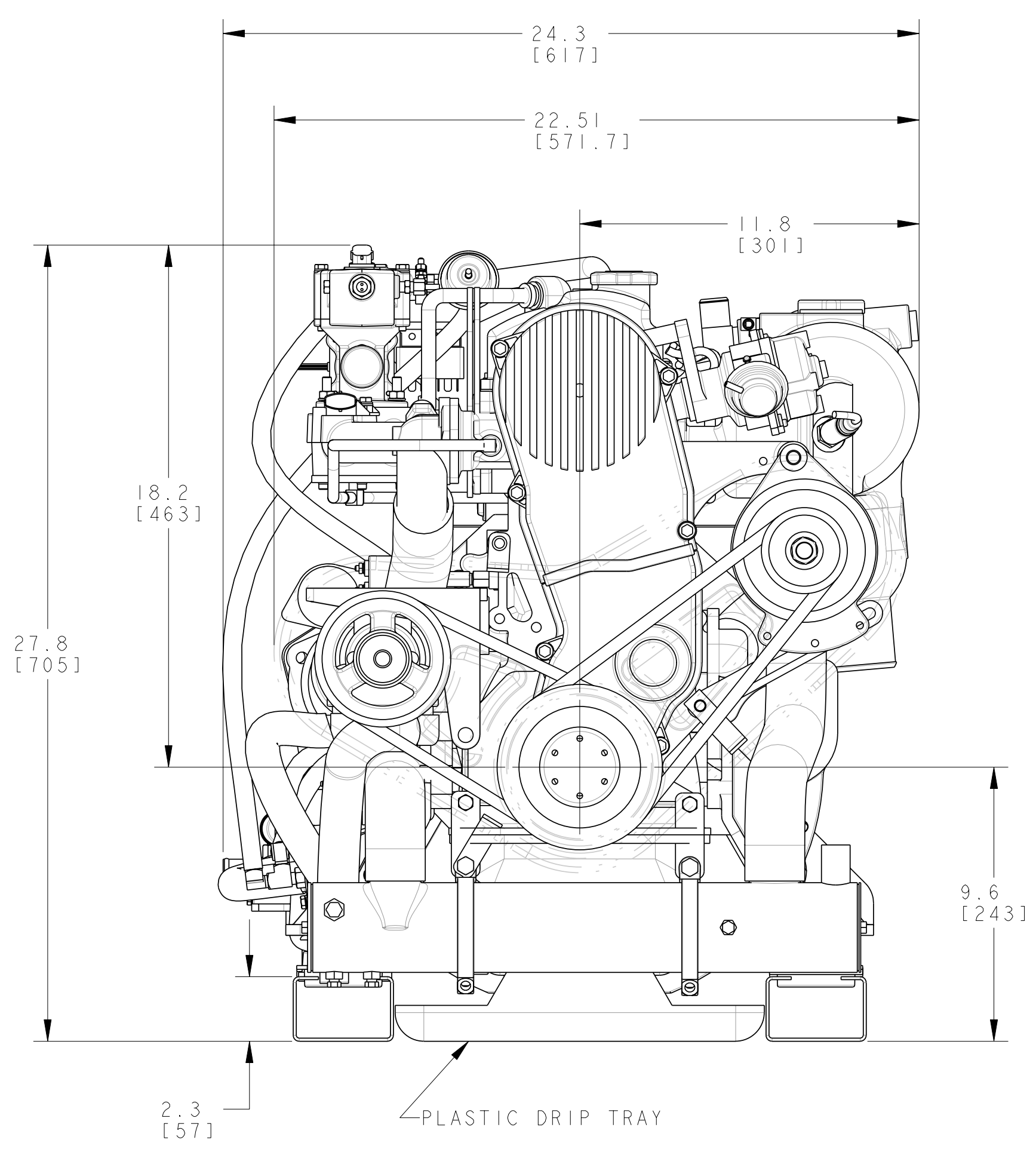
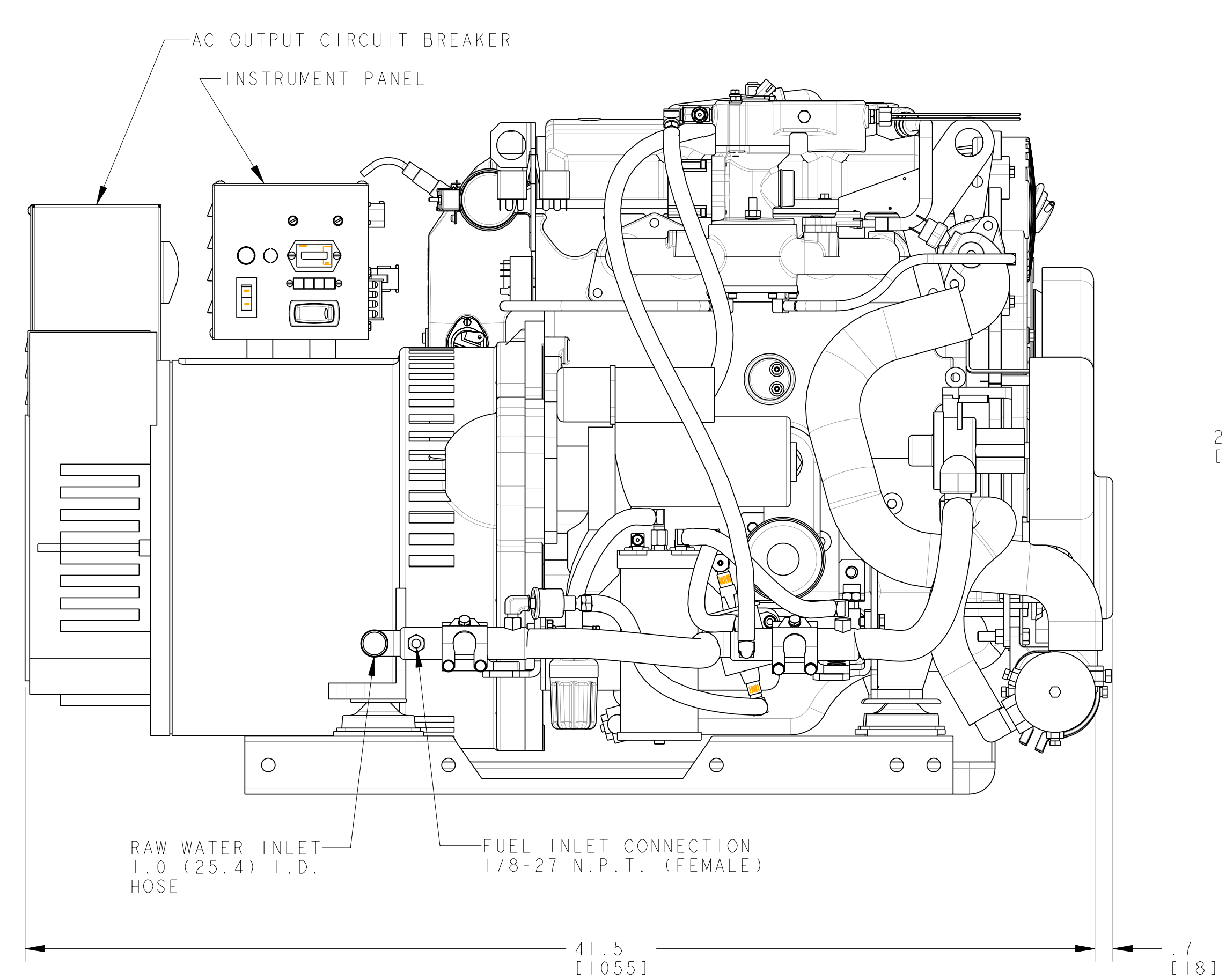
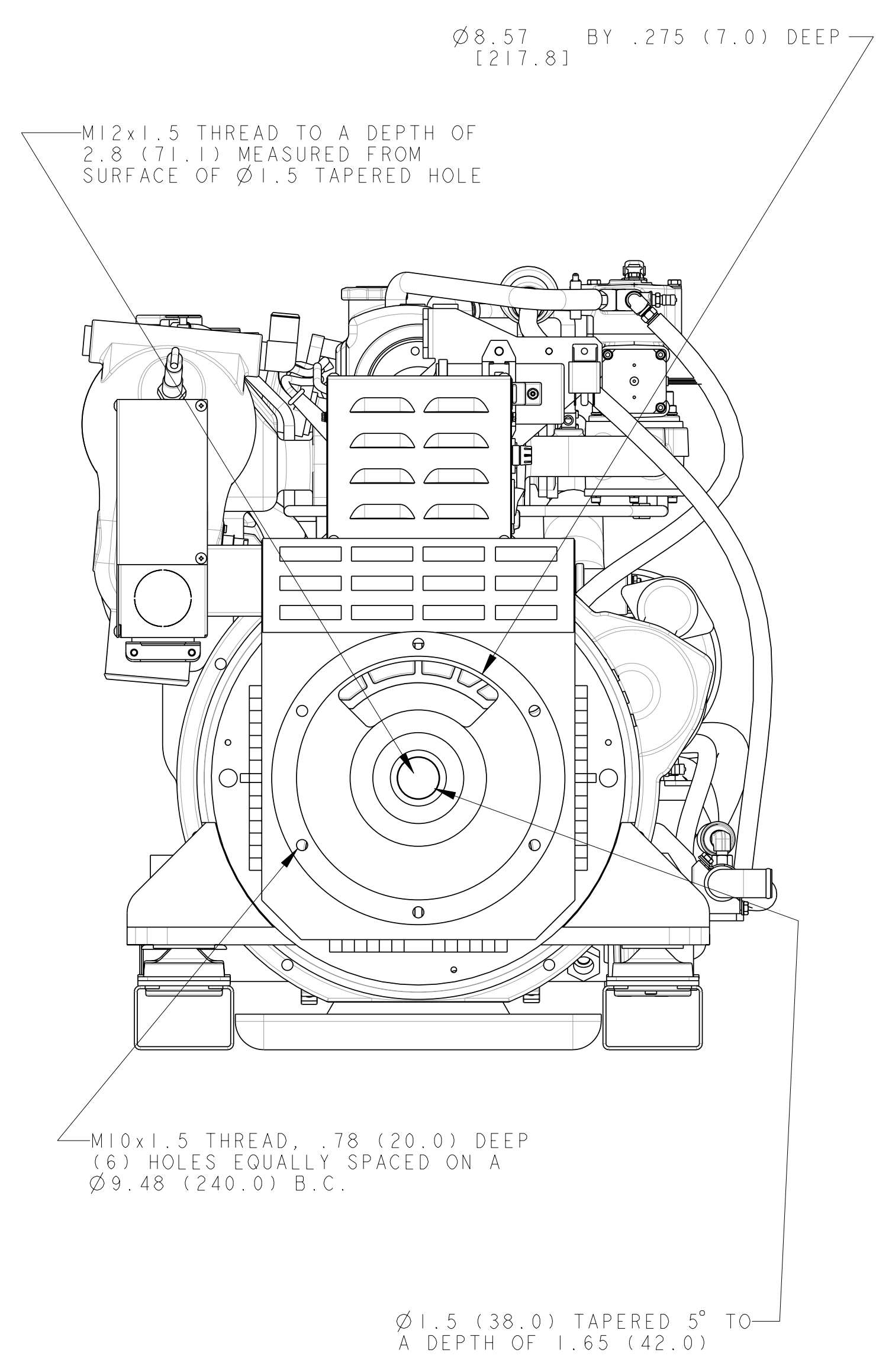
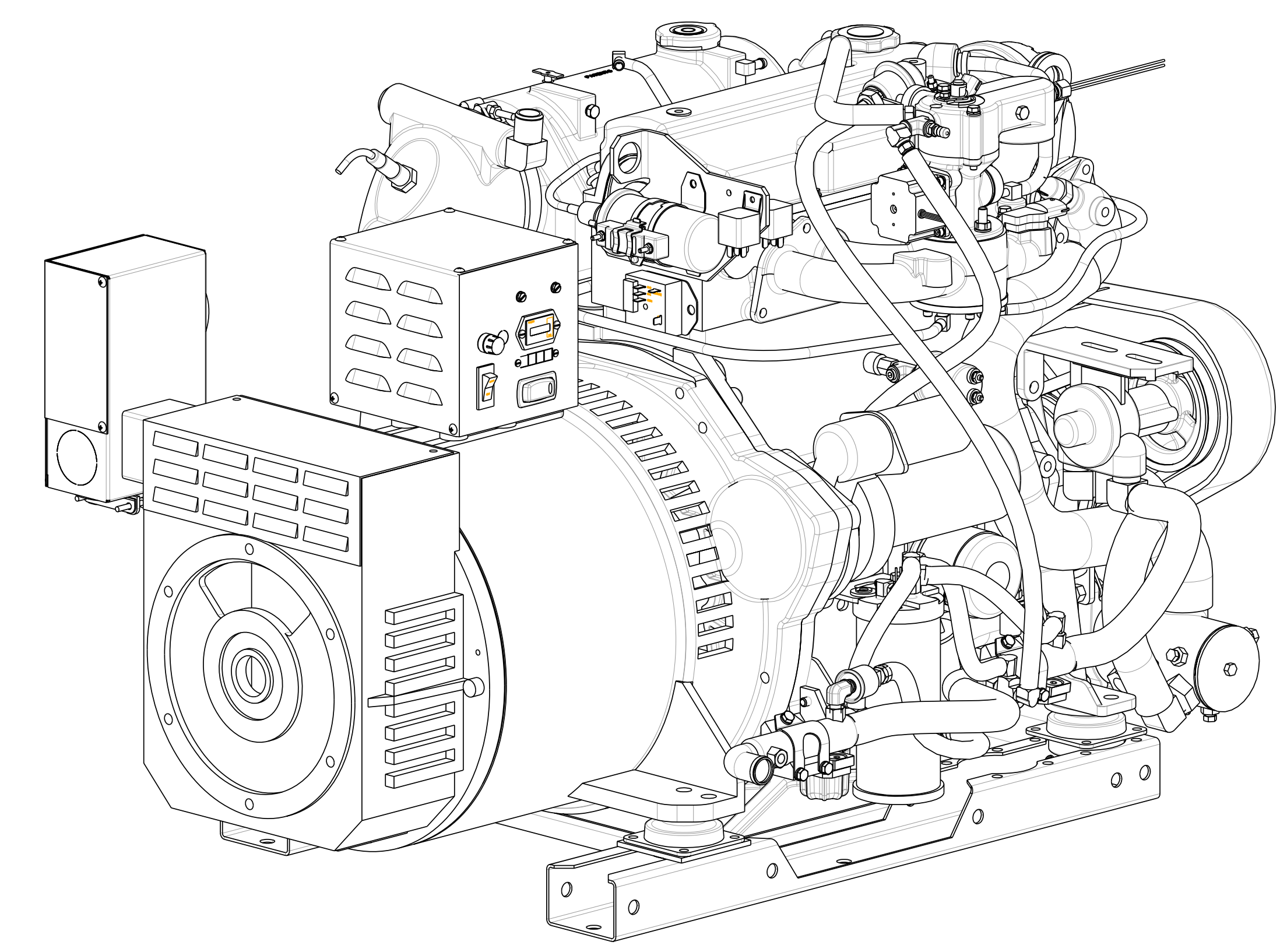
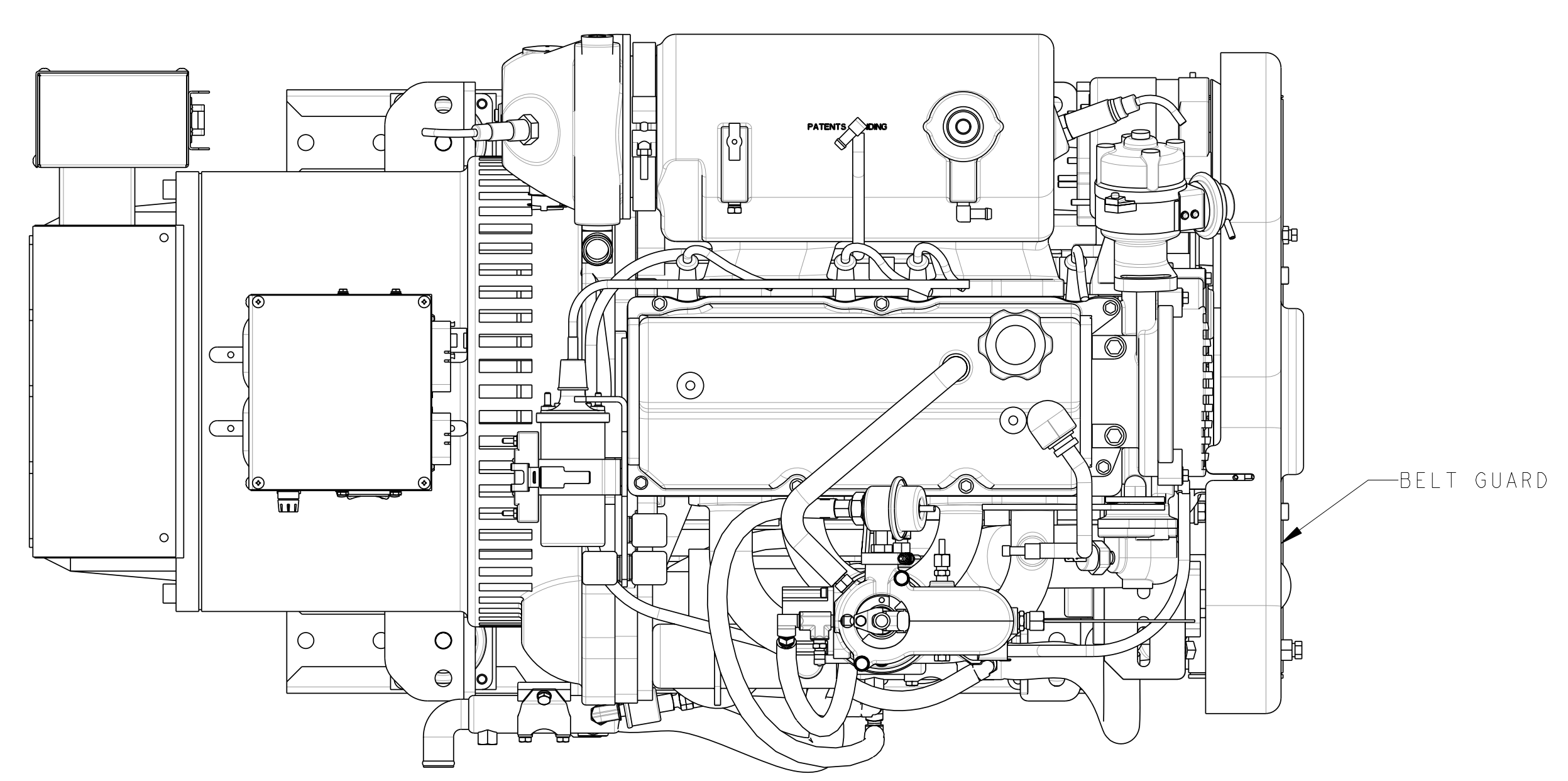


ECO NO.	DATE	REV.	REVISION RECORD	AUTH.	DR. BY
	8-3-04	A	REVISED INTAKE AND THROTTLE BODY ASSEMBLY		WRM
6092	10-3-2005	B	ADDED RETURNLESS FUEL SYSTEM.		GA
6602	2-19-2009	C	UPDATED TITLE BOX TO INCLUDE 20-22.5 SBEGA.		GA



TOLERANCES (UNLESS OTHERWISE NOTED)		WESTERBEKE CORPORATION TAUNTON, MA. 02780	
INCHES	MILLIMETERS	TITLE	
.XX ± .02	X ± 1.0	INSTALLATION DRAWING	
.XXX ± .005	XX ± .5	20.0 AND 22.5 KW. SBEGA/A	
CAST ± .03	XX ± .13	DRAWN BY	DATE
FINISH		WRM	16/Mar/04
DIMENSIONS		APPROVED BY	DATE
INCHES	MILLIMETERS		
SCALE 0.250	SIZE	DRAWING NUMBER	REV.
(WHEN APPLICABLE)	Sht. 1 of 1	E	49269