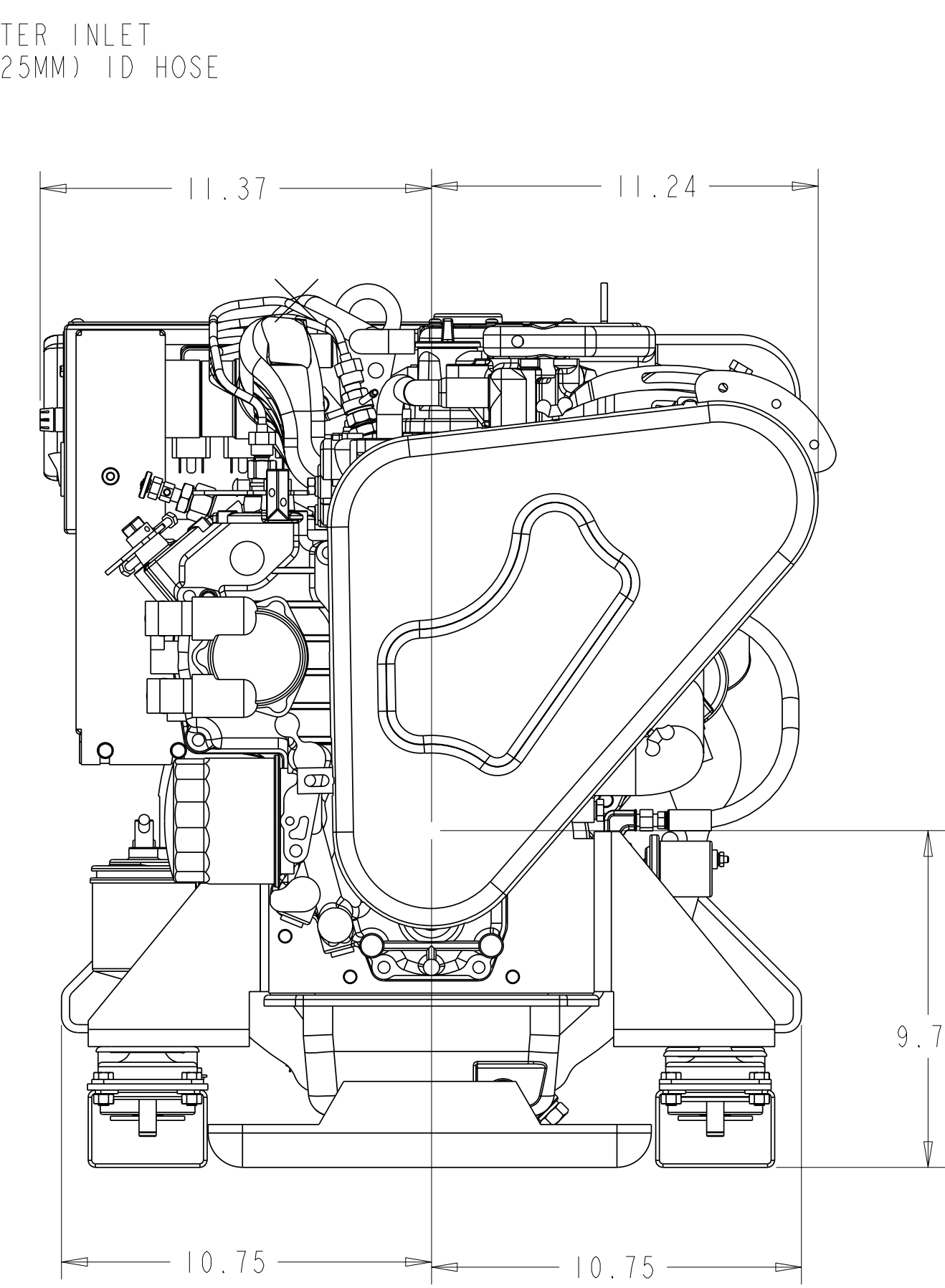
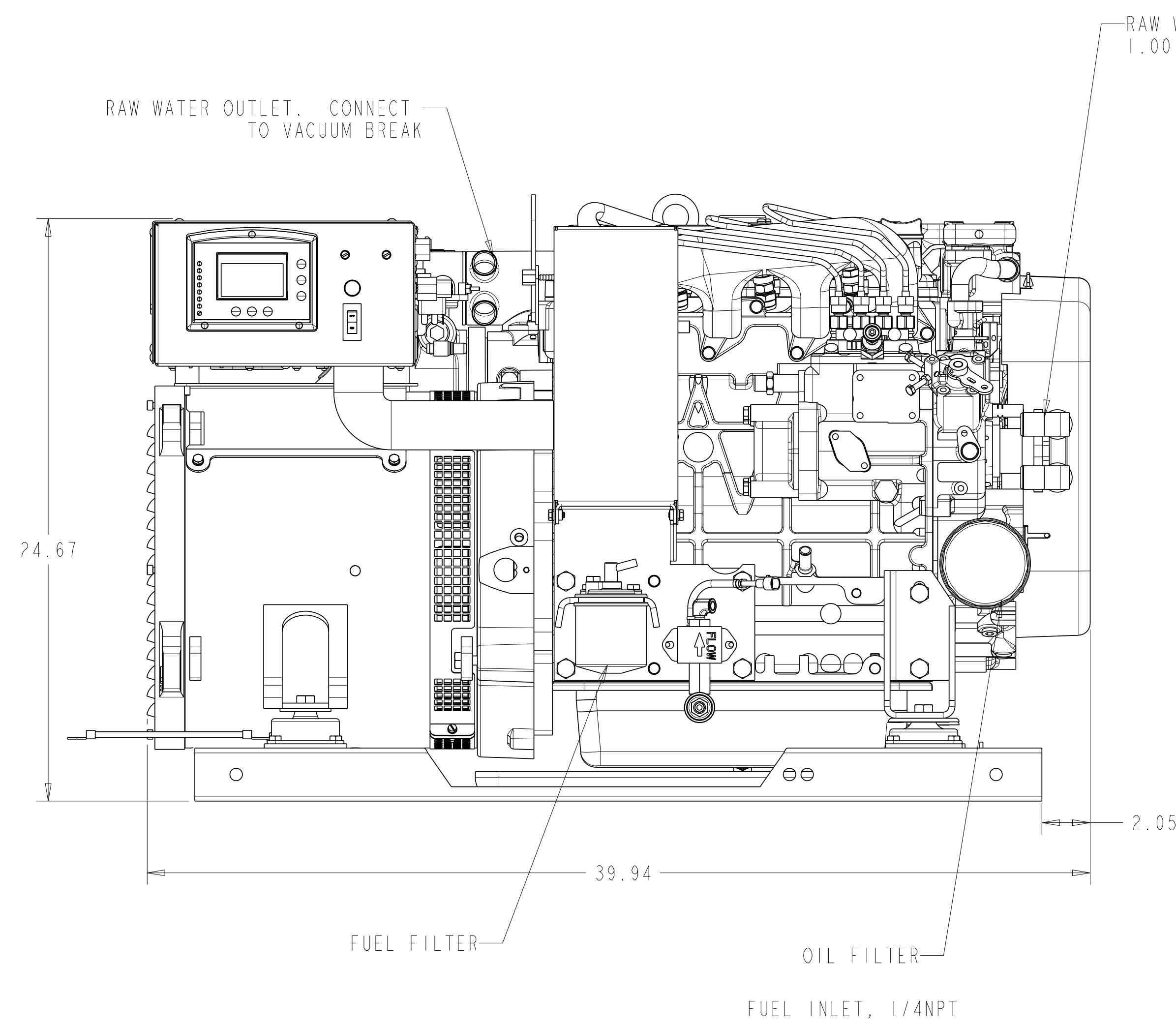
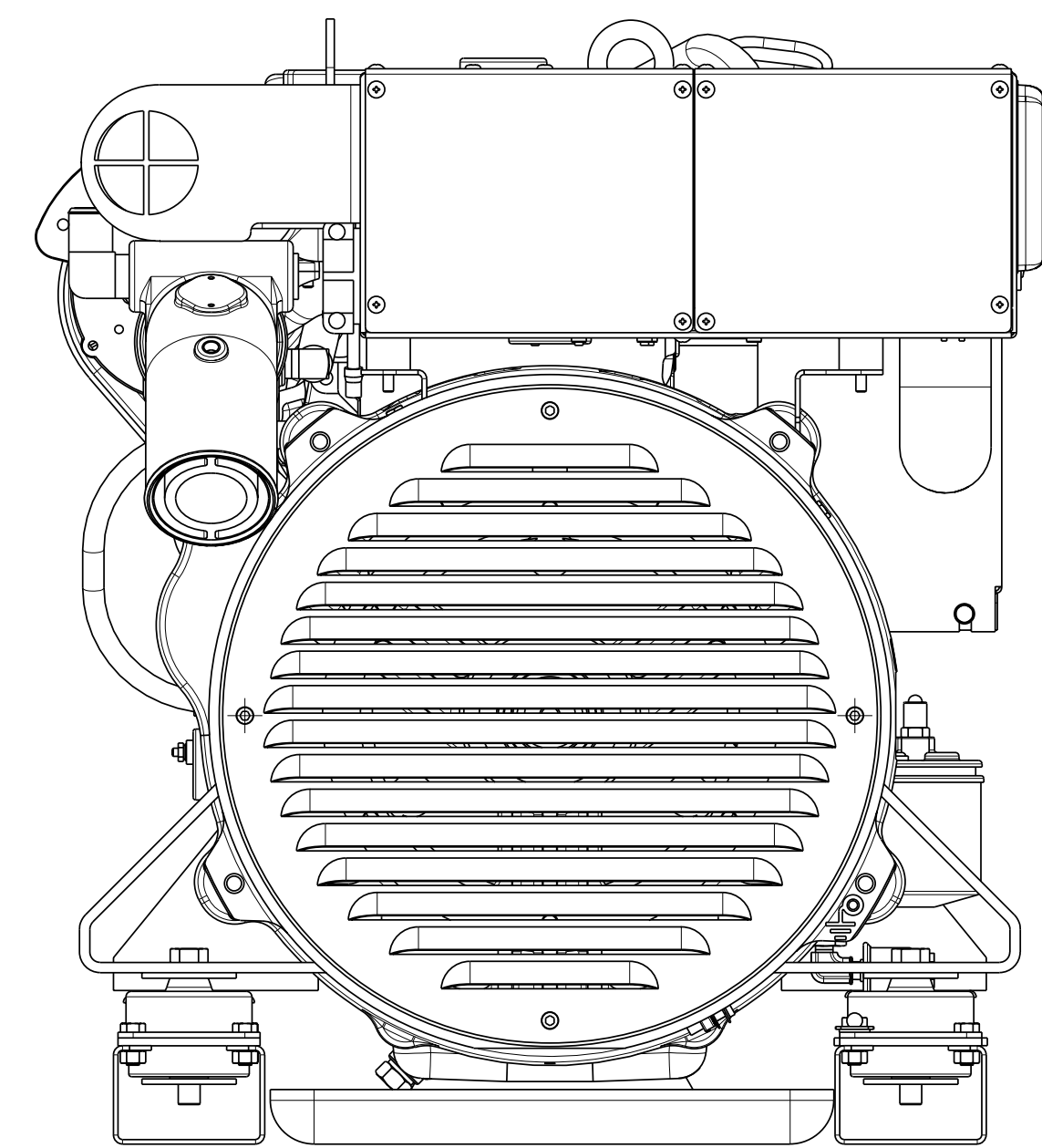
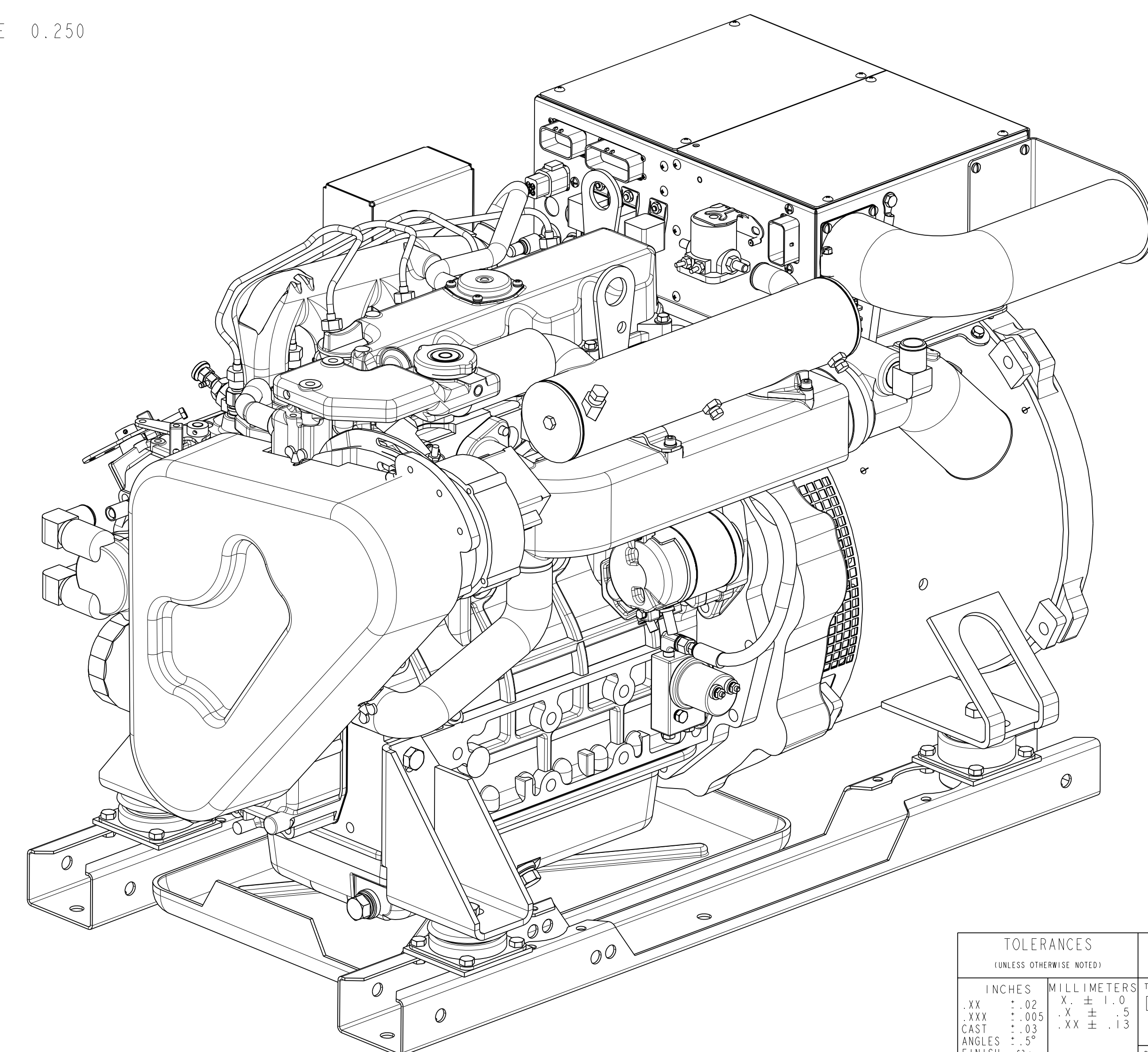
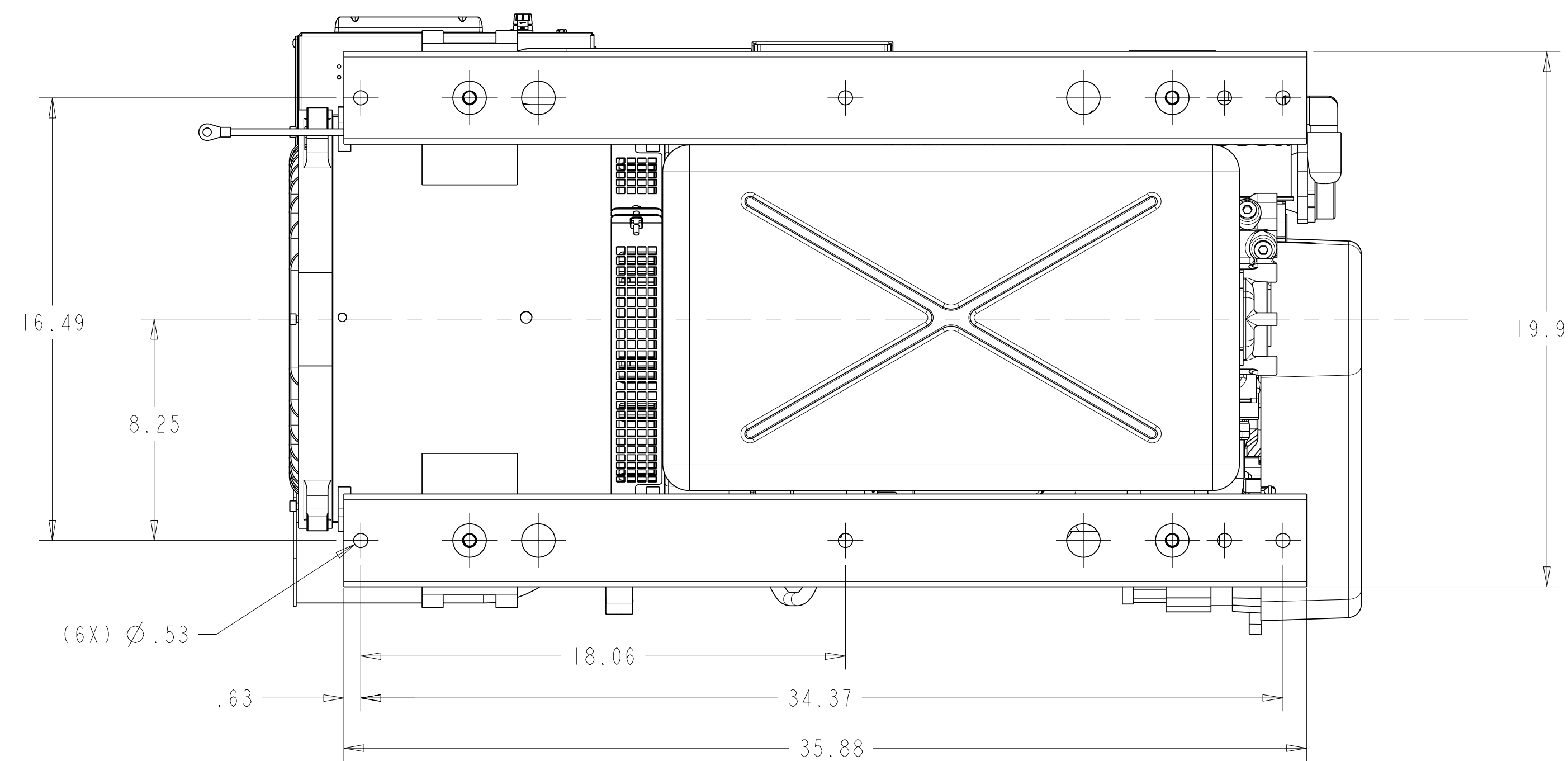
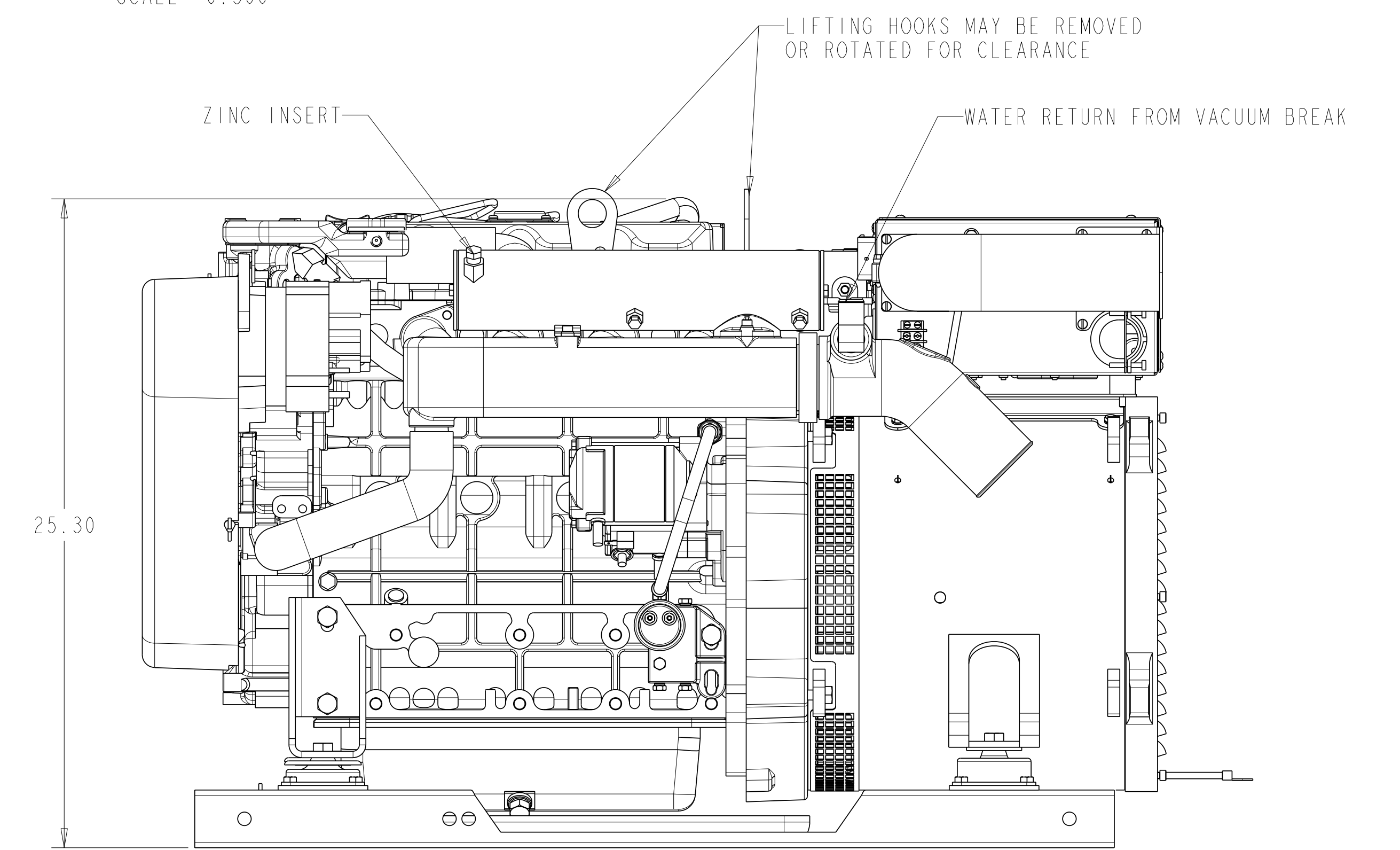


SCALE 0.300



SCALE 0.250



SCALE 0.300

| | | | |
|--|-------------|---|--|
| TOLERANCES (UNLESS OTHERWISE NOTED) | | WESTERBEKE CORPORATION TAUNTON, MA 02780 | |
| INCHES | MILLIMETERS | TITLE | |
| XX ± .02 | X ± 1.0 | DGINSTALLATION, 22.0 KW EDE GENSET | |
| XX ± .005 | X ± .5 | DRAWN BY | |
| XX ± .01 | XX ± .13 | DATE | |
| ANGLES | | MATERIAL | |
| FINISH | | DATE | |
| DIMENSIONS | | APPROVED BY | |
| INCHES | | DATE | |
| MILLIMETERS | | SCALE 0.500 | |
| (WHEN APPLICABLE) | | SIZE DRAWING NUMBER | |
| | | Sht. 1 of 3 | |
| | | E 53734 | |
| | | REV. A | |