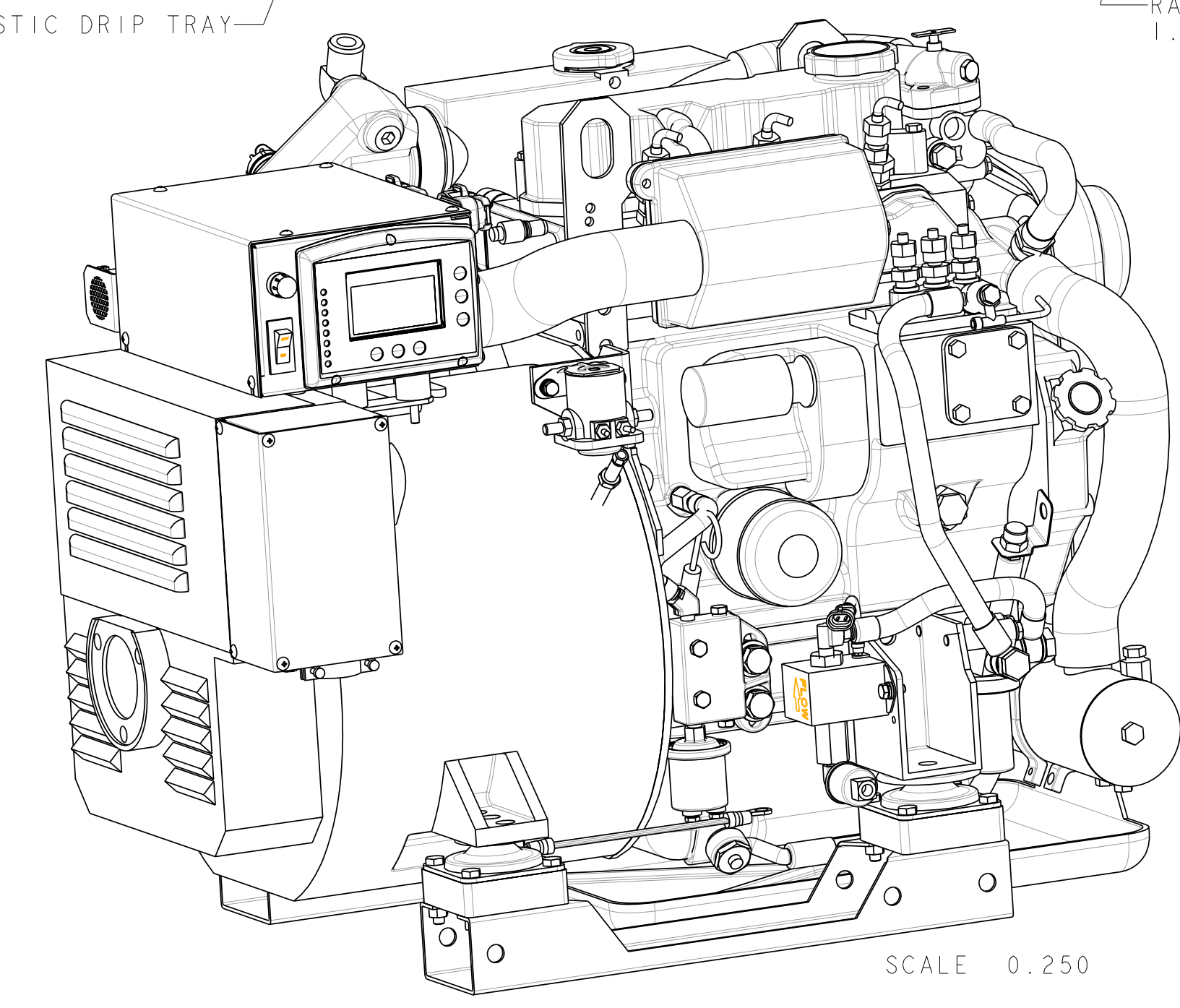
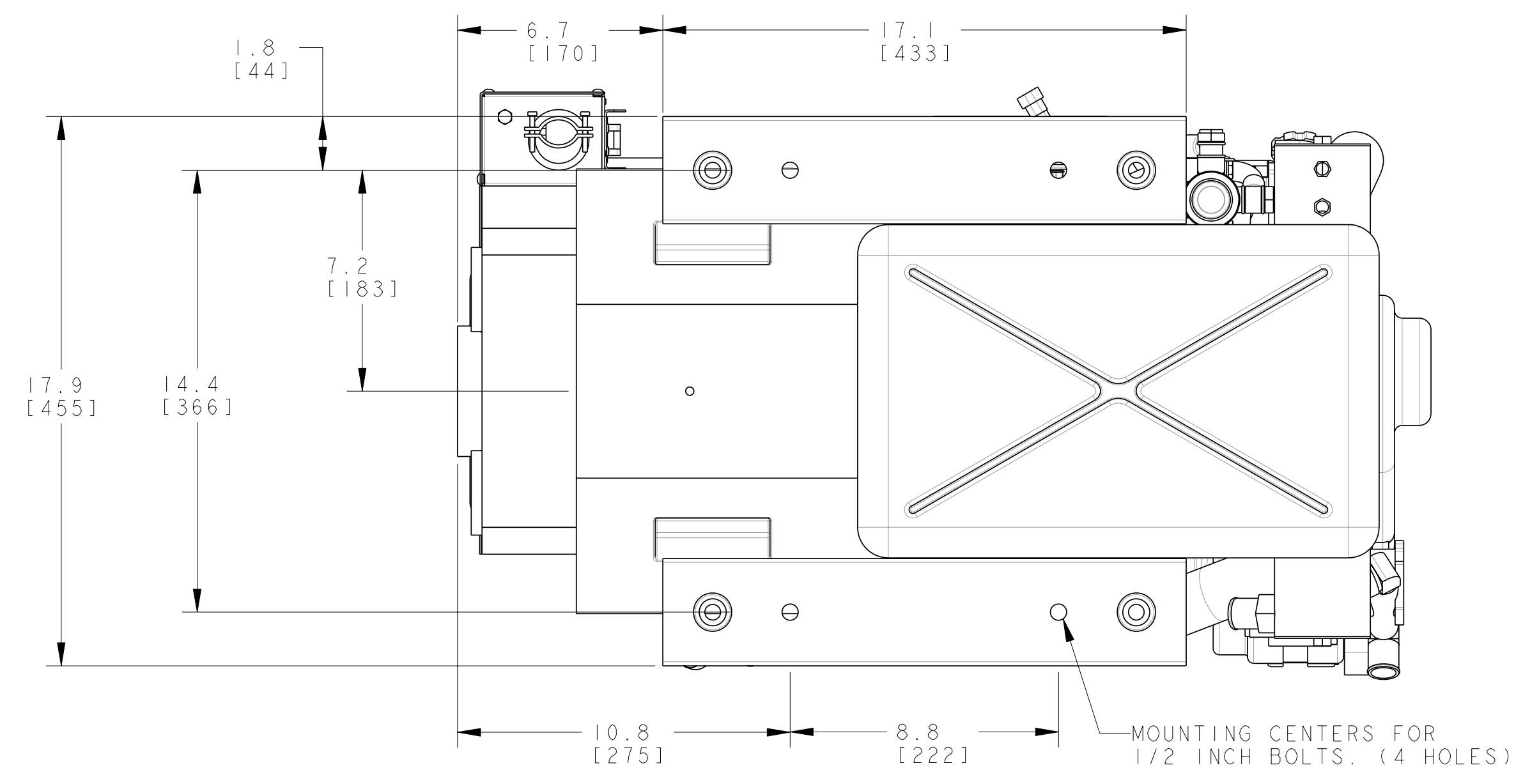
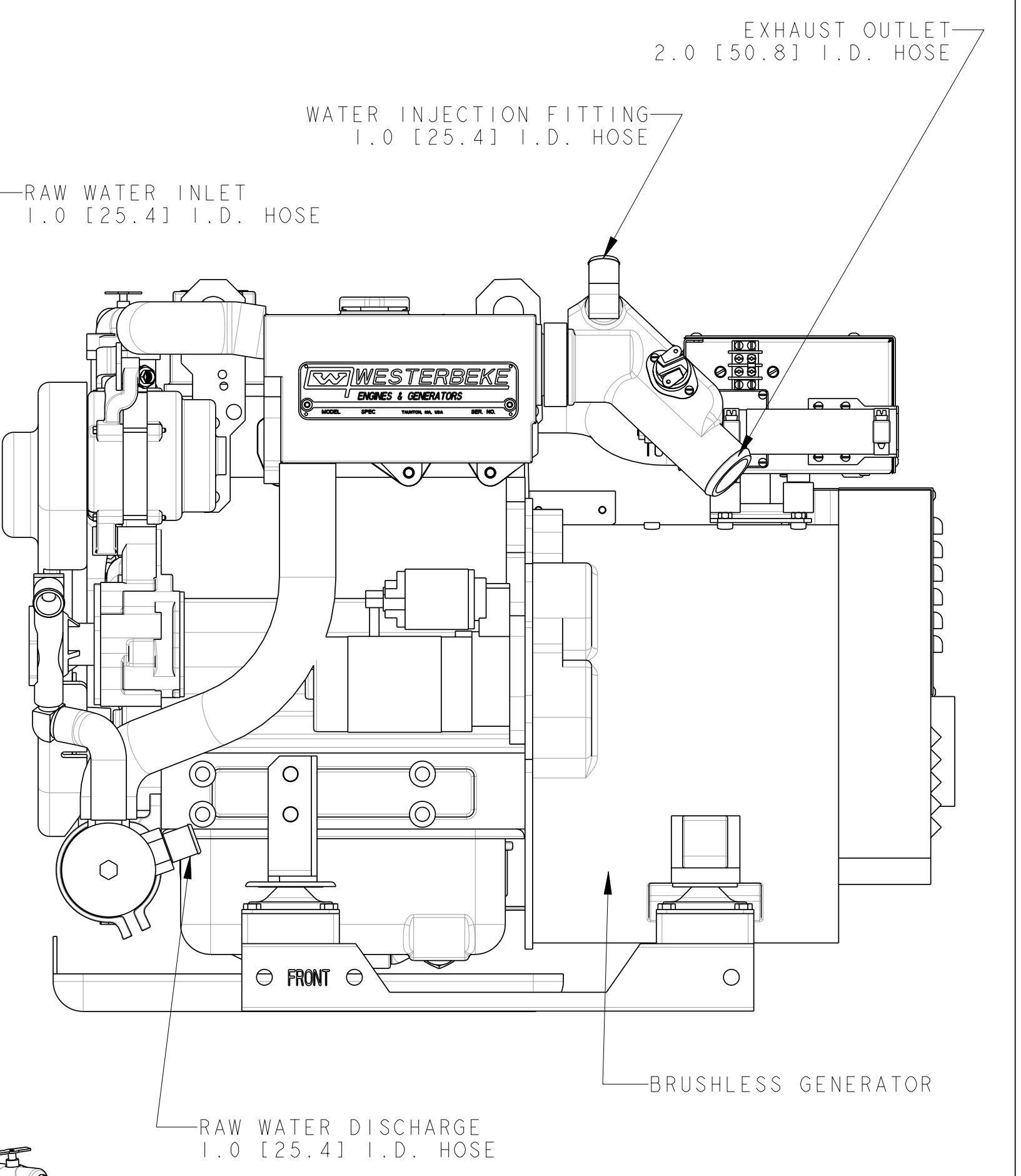
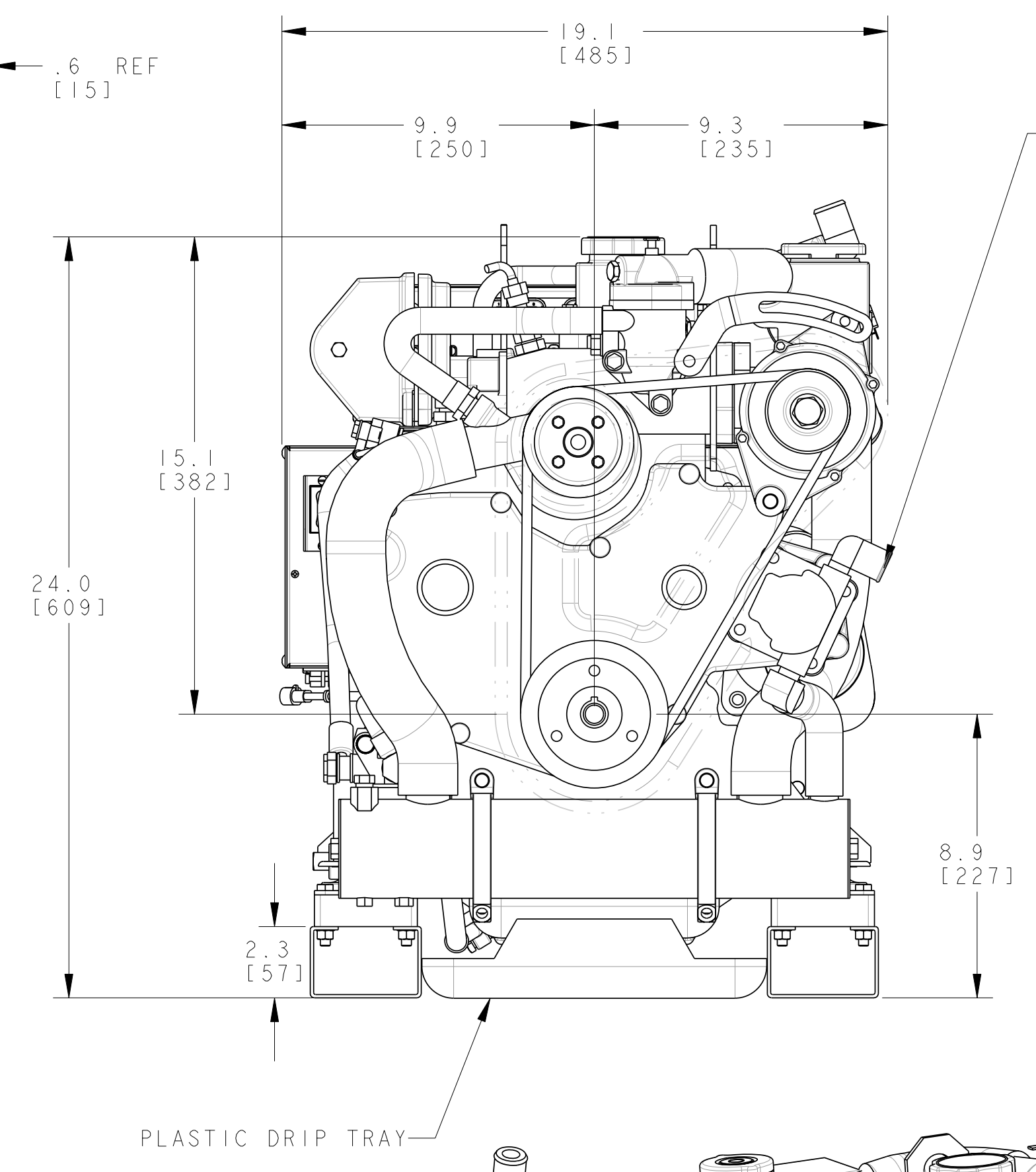
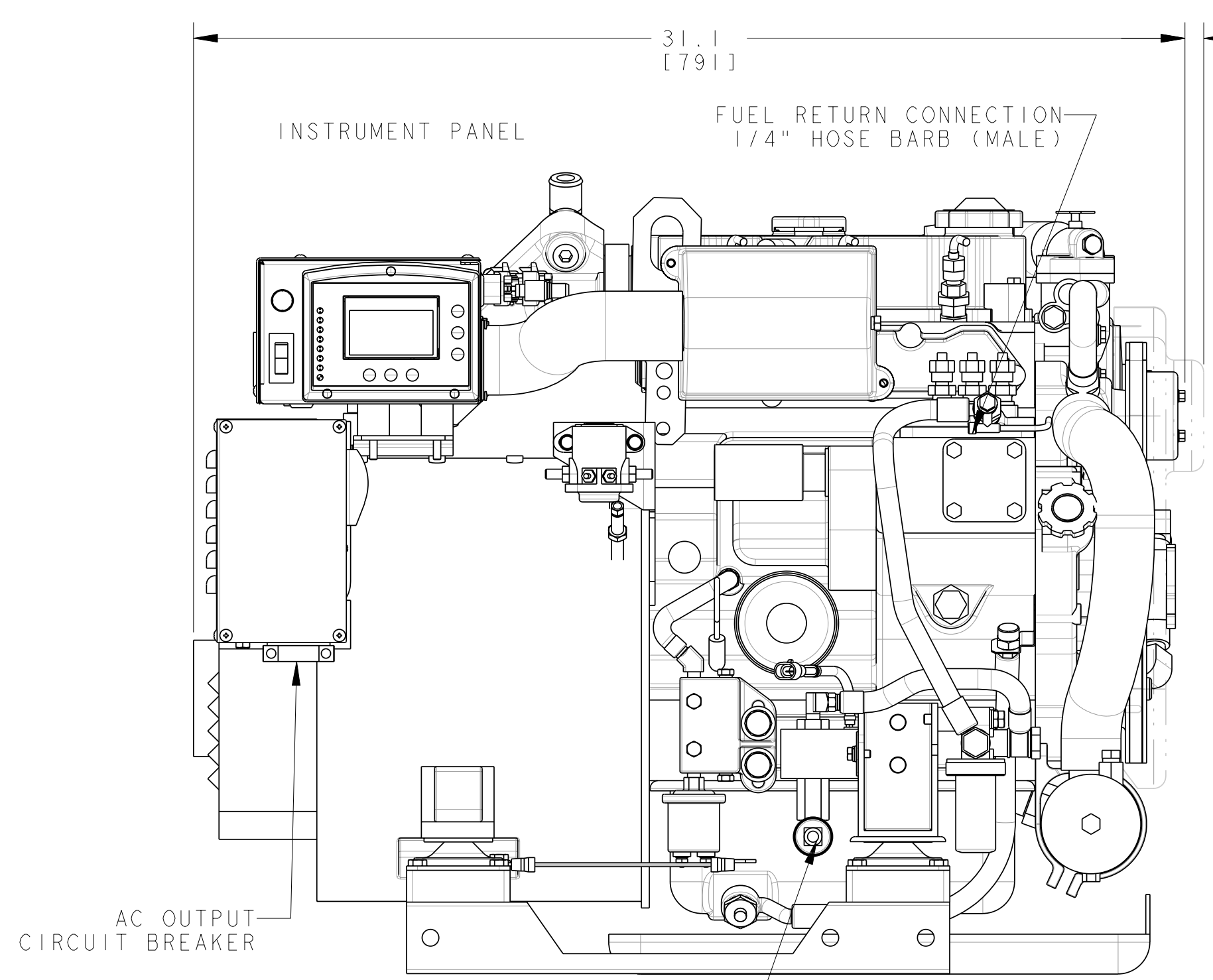
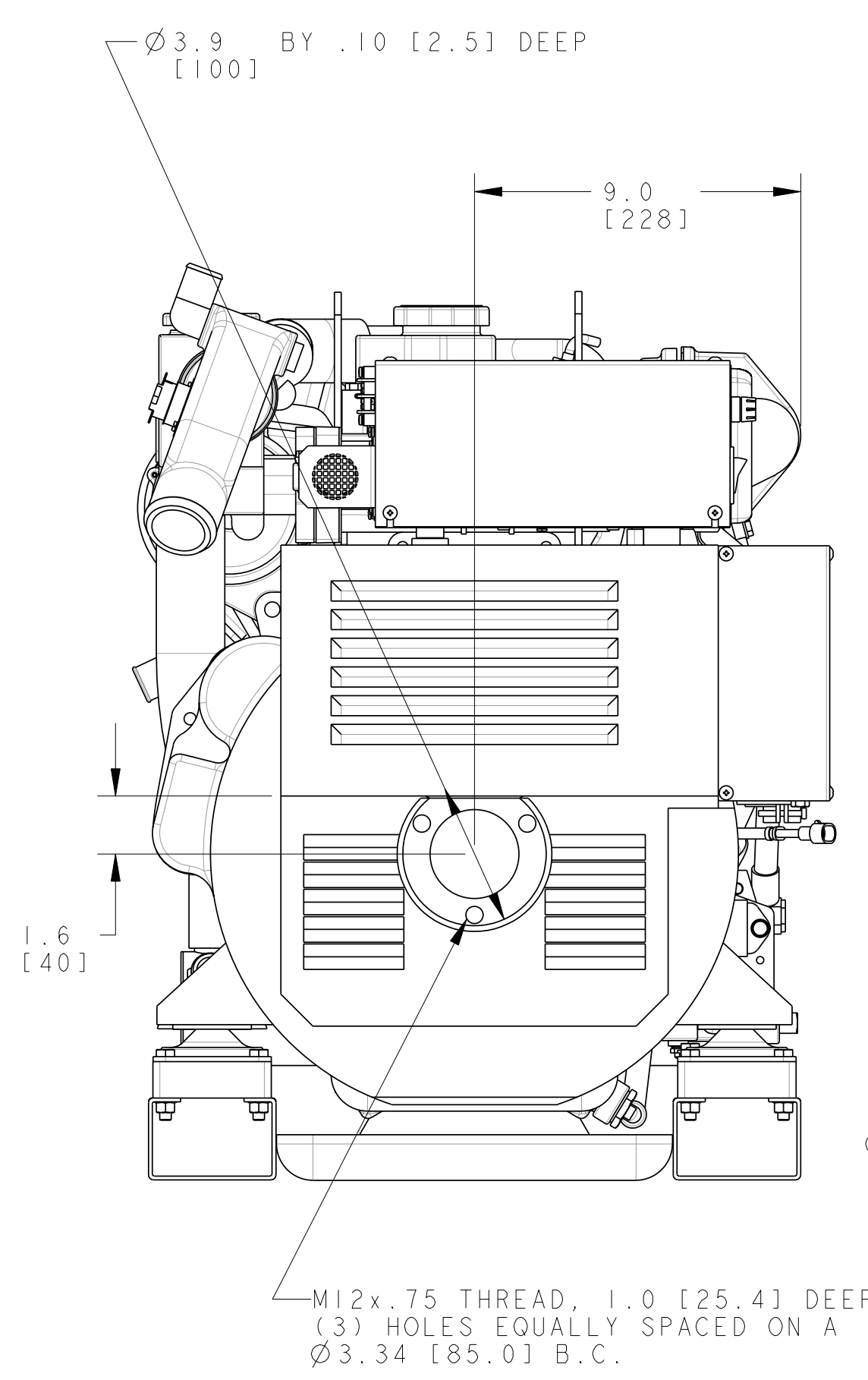
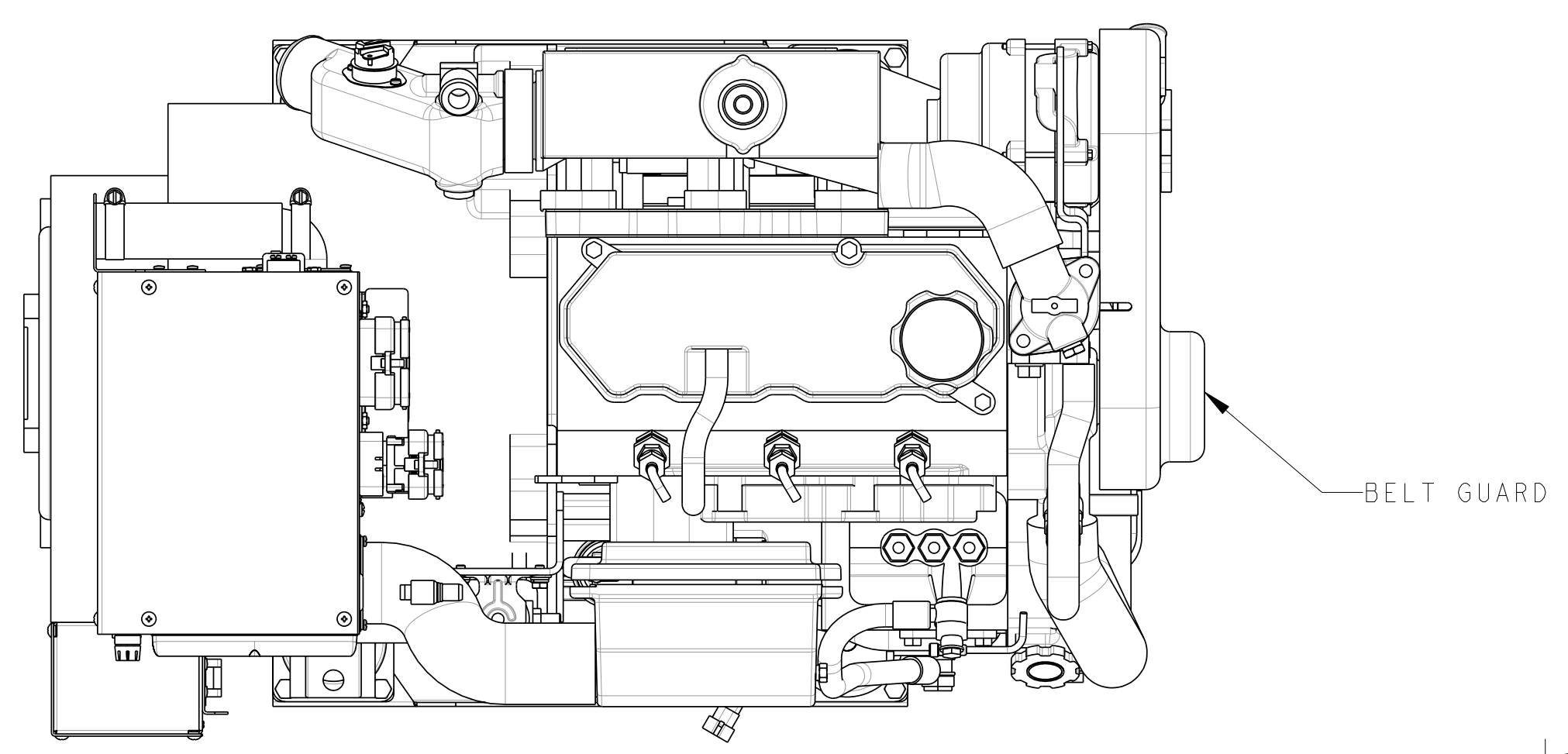


| ECO NO. | DATE | REV. | REVISION RECORD | AUTH. | DR. BY |
|---------|-----------|------|-----------------------------------------------------------|-------|--------|
| 6601 | 2-11-2009 | A | CHANGE TITLE SHOWING DIFFERENT MODELS. REMOVE 50HZ MODEL. | | GA |



MODEL WITH 50 AMP ALTERNATOR

| | | | |
|-------------------------------------|-------------|----------------------------------------------|--|
| TOLERANCES (UNLESS OTHERWISE NOTED) | | WESTERBEKE CORPORATION TAUNTON, MA. 02780 | |
| INCHES | MILLIMETERS | TITLE | |
| .XX : .02 | X : ± 1.0 | INSTALLATION DRAWING | |
| .XXX : .005 | .X : ± .5 | 10.0 EDT, 11.5 EDT, 12.6 EDT | |
| CAST : .03 | .XX : ± .13 | DRAWN BY: GA | |
| ANGLES: 5° | | DATE: 3/May/07 | |
| FINISH: 63 | | MATERIAL: | |
| DIMENSIONS | | APPROVED BY: DATE: | |
| INCHES | | SCALE 0.250 | |
| MILLIMETERS | | SIZE: DRAWING NUMBER | |
| (WHEN APPLICABLE) | | SHT. 1 OF 2 | |
| | | D 53418 | |
| | | REV. A | |