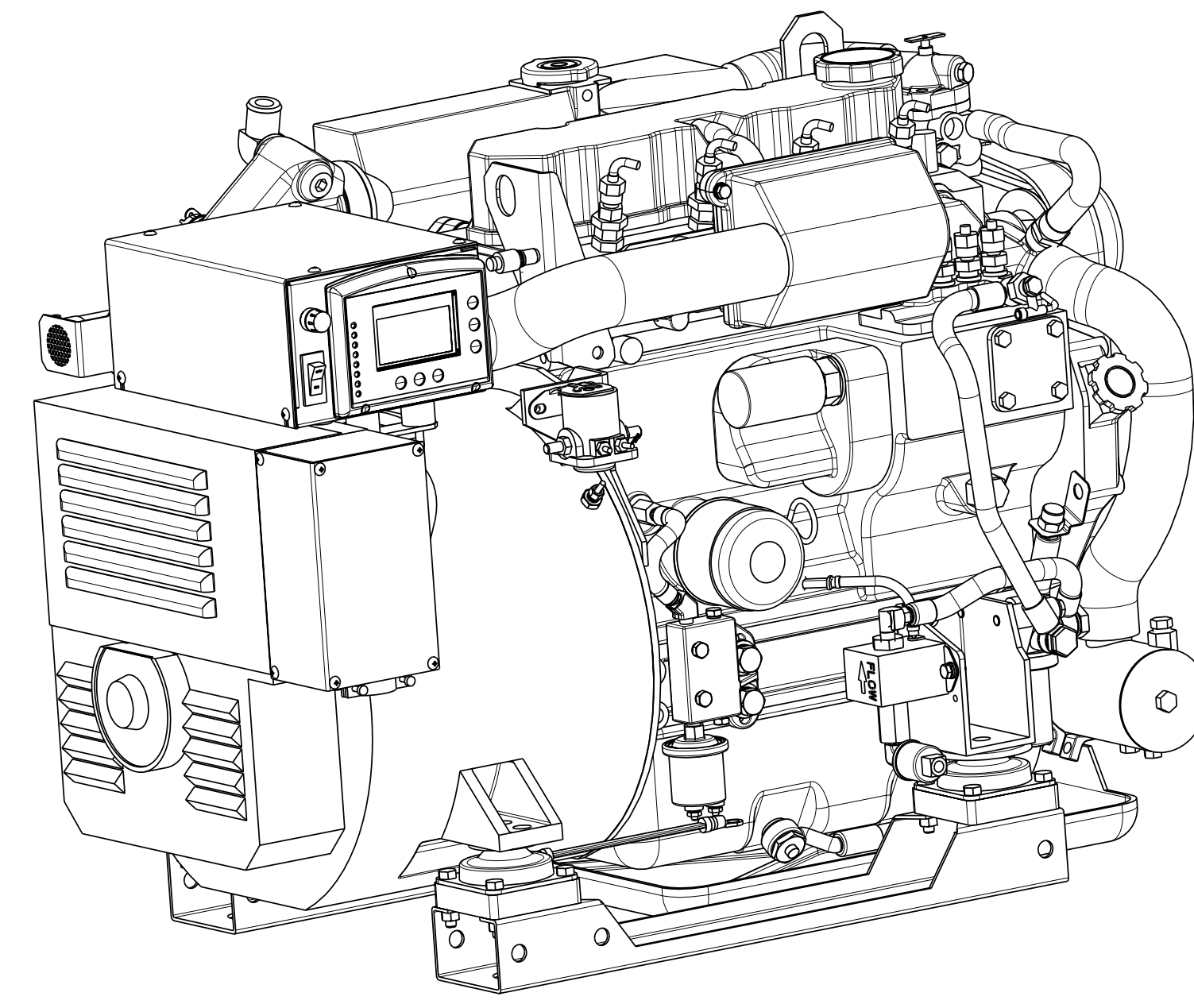
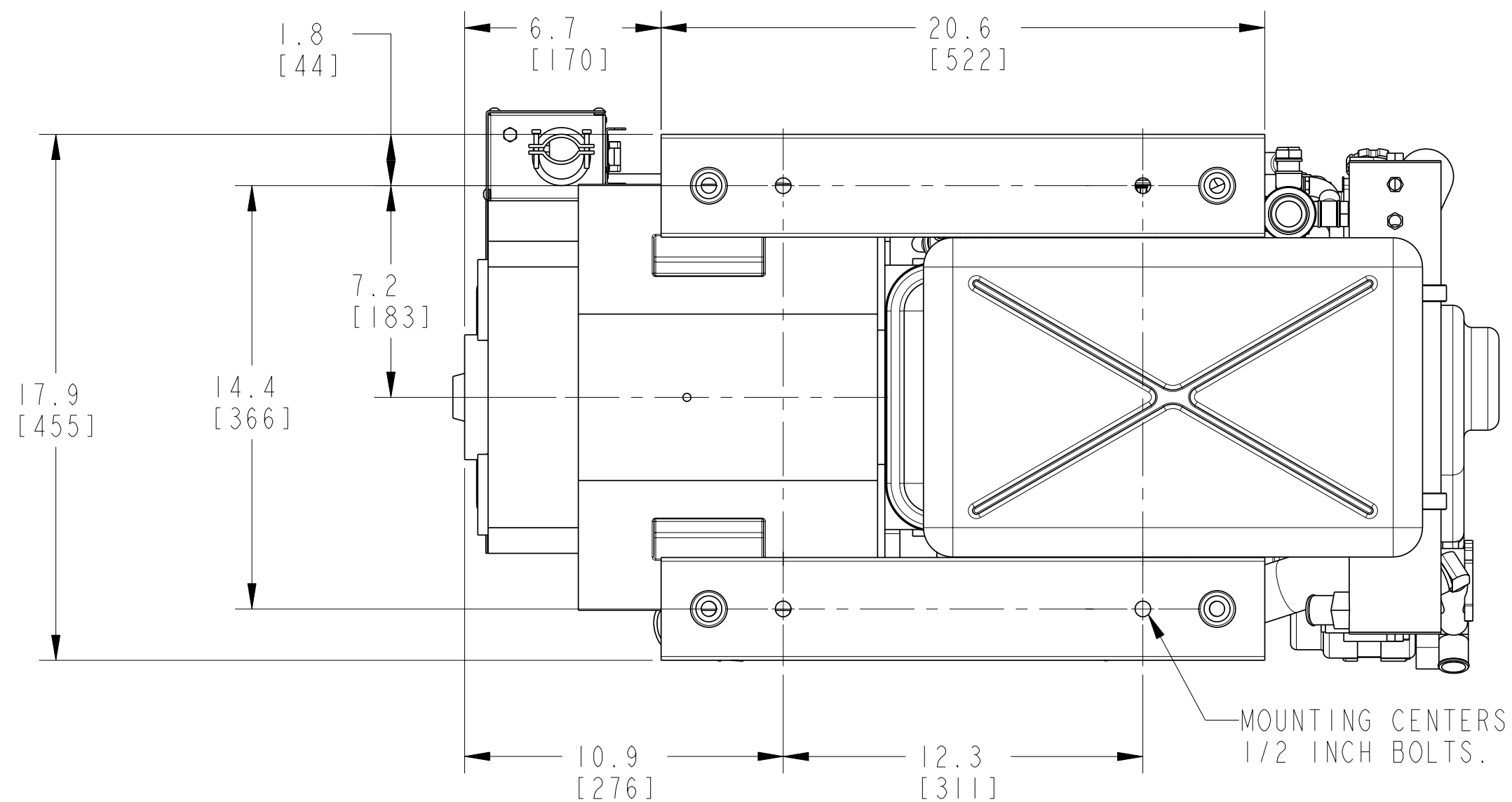


M12x.75 THREAD, 1.0 (25.4) DEEP  
(3) HOLES EQUALLY SPACED ON A  
Ø3.34 (85.0) B.C.



MODEL WITH 50 AMP ALTERNATOR

TOLERANCES (UNLESS OTHERWISE NOTED)		WESTERBEKE CORPORATION TAUNTON, MA. 02780			
INCHES	MILLIMETERS	TITLE			
.XX : .02	X : ± 1.0	INSTALLATION DRAWING			
.XXX : .005	XX : ± .5	12.5-15.0 EDT@60Hz, 9.4-12.0 EDT@50Hz			
CAST : .03	.XX : ± .13	DRAWN BY		DATE	MATERIAL:
ANGLES : 5°		GA		24/May/2007	
FINISH		APPROVED BY		DATE	
DIMENSIONS		SCALE 0.218		SIZE	DRAWING NUMBER
INCHES		SHT. 1 OF 2		D	53426
MILLIMETERS					
(WHEN APPLICABLE)					