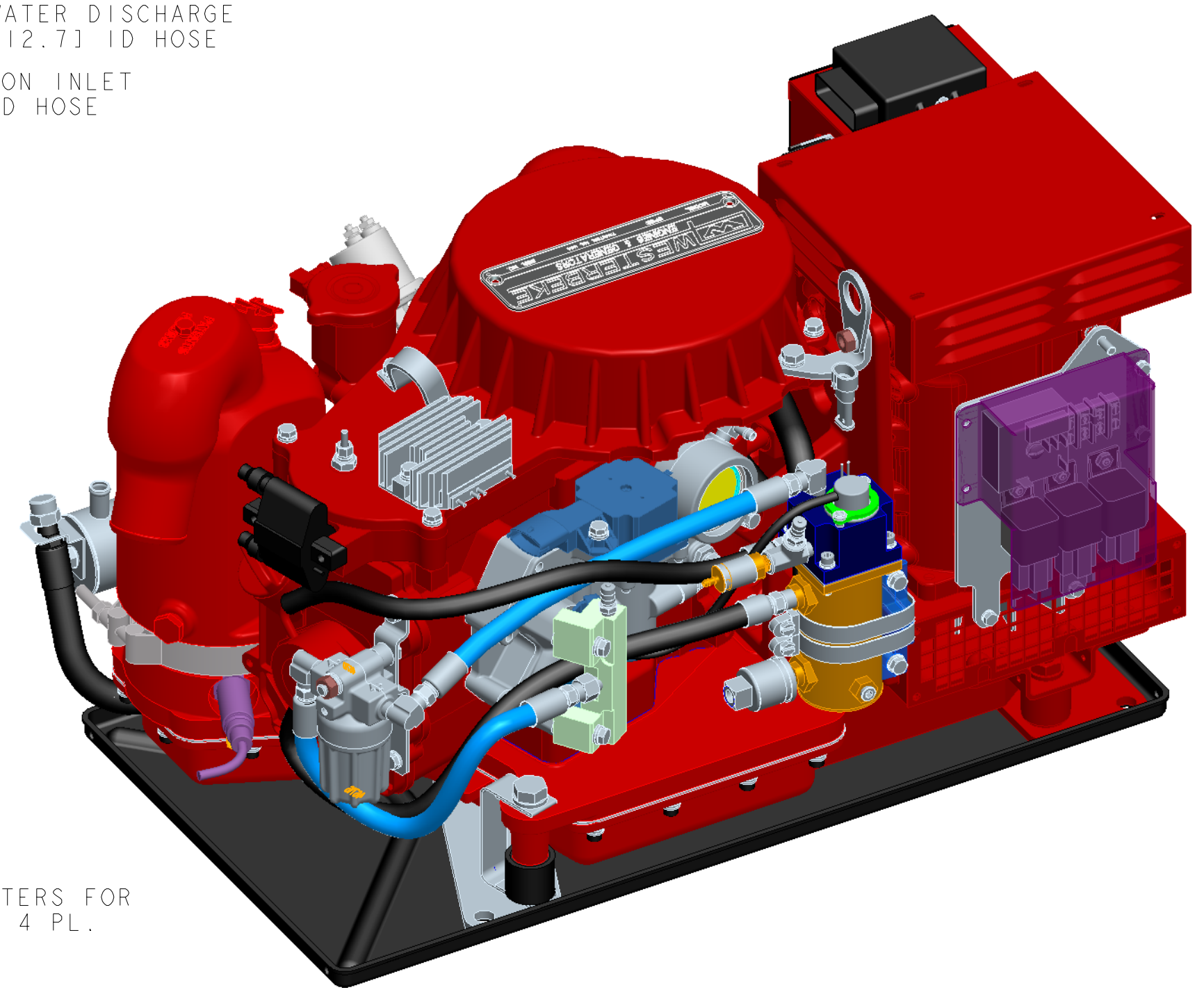
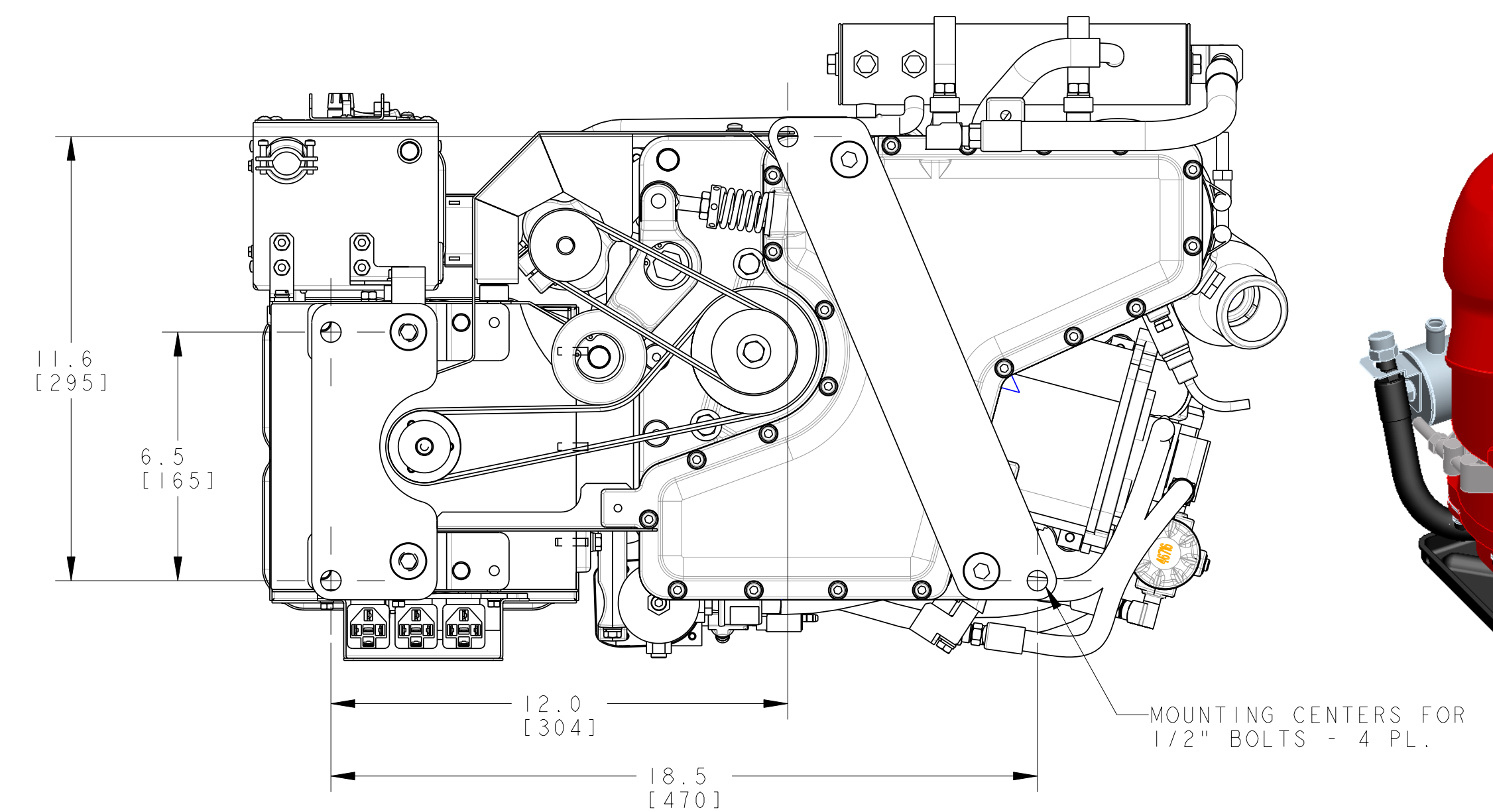


RAW WATER INLET
0.5 [12.7] ID HOSE

RAW WATER DISCHARGE
0.5 [12.7] ID HOSE

WATER INJECTION INLET
0.5 [12.7] ID HOSE



MOUNTING CENTERS FOR
1/2" BOLTS - 4 PL.

TOLERANCES (UNLESS OTHERWISE NOTED)		WESTERBEKE CORPORATION TAUNTON, MA. 02780			
INCHES	MILLIMETERS	TITLE DGINSTALL GEN 3.5 SBCG			
.XX : .02	X : ± 1.0	DRAWN BY GA			
.XXX : .005	.X : ± .5	DATE 06/Jan/10			
CAST : .03	.XX : ± .13	MATERIAL: ---			
ANGLES : 9°		APPROVED BY DATE			
FINISH		SCALE 0.300			
DIMENSIONS INCHES MILLIMETERS (WHEN APPLICABLE)		SHT. 1 OF 1		DRAWING NUMBER D 55109	
				REV. ---	